



# Data Sheet Force Gauge

PCE-DFG series

PCE Americas Inc. 711 Commerce Way Suite 8 Jupiter FL-33458 USA From outside US: +1 Tel: (561) 320-9162 Fax: (561) 320-9176 info@pce-americas.com	PCE Instruments UK Ltd. Units 12/13 Southpoint Business Park Ensign way Hampshire / Southampton United Kingdom, SO31 4RF From outside UK: +44 Tel: (0) 2380 98703 0 Fax: (0) 2380 98703 9 info@pce-instruments.com
--	---

EN [www.pce-instruments.com/english](http://www.pce-instruments.com/english)  
[www.pce-instruments.com](http://www.pce-instruments.com)

## Areas of application

These force gauges are perfectly suitable for quality control in production as well as for incoming and outgoing goods control and the development of new components or to test safety-relevant components. Their robust cases make the devices fit for applications under tough industrial conditions.

## 1 Delivery content

- 1 x digital force gauge
- 1 x chisel head adaptor
- 1 x flat head adaptor
- 1 x pointed head adaptor
- 1 x hook adaptor
- 1 x notched head adaptor
- 1 x extension bar (90 mm)
- 1 x PC software
- 1 x USB data cable
- 1 x mains adaptor
- 1 x carrying case
- 1 x factory calibration certificate
- 1 x instruction manual

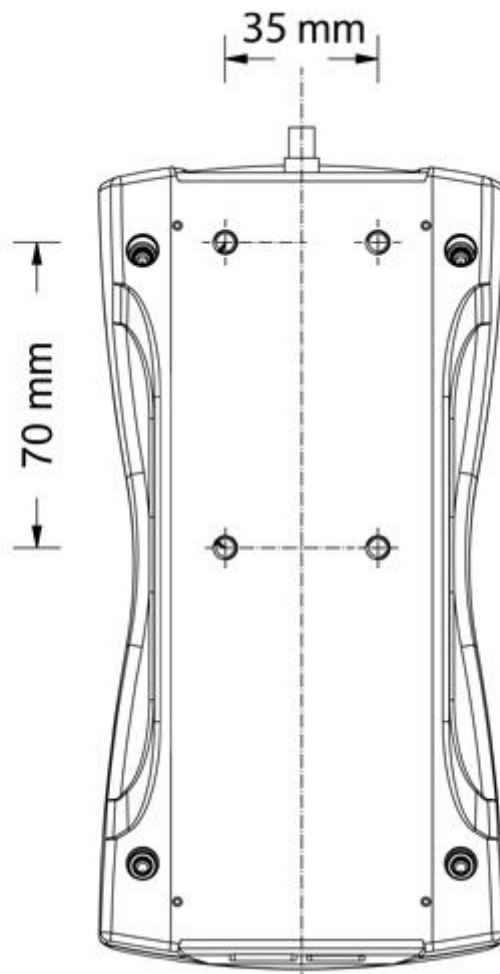
## 2 Product features

- internal memory for up to 1000 measurements
- tensile and compressive force measurements
- four measurement speeds
- measuring units: N, gf, kgf, ozf, kg, lbf, mN
- PEAK function (MIN / MAX)
- limit value function
- calibration function
- automatic or manual storage
- mains operation possible
- graphical display with automatic alignment
- time / date
- report print function
- software for analysing and archiving data
- Automatic Power Off function
- battery level indicator
- tensile and compressive force measurement
- high sampling rate
- four measured velocities

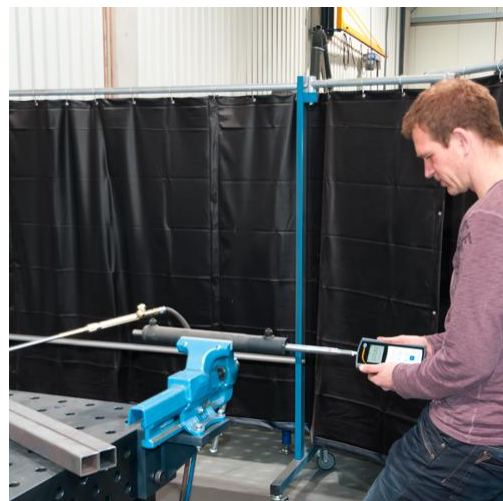
### 3 Technical specifications

Model	PCE-LFG 5	PCE-LFG 10	PCE-LFG 20	PCE-LFG 500
Measurement range	0 ... 5 N	0 ... 10 N	0 ... 20 N	0 ... 500 N
Resolution	0.0005 N	0.001 N	0.005 N	0.05 N
Accuracy	±0.1 % F. S.			
Units of measurement	mN, N, gf, kgf, ozf, lbf (selectable)			
Display	160 x 128 dot matrix LCD with LED backlight			
Overload	150 % F. S. (LCD flashes if above 110 % F. S.)			
Temperature effect	<0.03 % F. S./K			
Measurement modes	Peak, Auto Peak, Track			
Set point	tolerance alarm			
Sampling rate	2000 Hz			
Storage rate	device: 1 / 2 / 5 / 10 s / PC software: approx. 60 Hz (adjustable)			
Display update	10 times/s			
Memory	1000 data			
Power supply	Ni-MH rechargeable battery			
Battery life	approx. 16 h continuous use, per full charge			
Charger / adaptor	universal USB/BM charger, input:110 ... 240 VAC			
Outputs	USB, RS232, setpoint output			
Environmental conditions	Operating conditions: -10 ... 40 °C; 20 ... 80 % RH Storage conditions: -20 ... +50 °C; 5 ... 95 % RH			
Dimensions	184.3 x 93.9 x 35.4 mm			
Weight	1.05 kg (2.31 lb)			

#### 4 Technical drawing



5 In-use pictures



## 6 Order code PCE-DFG series

Force gauge up to 5 N

PCE-LFG 5

Force gauge up to 10 N

PCE-LFG 10

Force gauge up to 20 N

PCE-LFG 20

Force gauge up to 500 N

PCE-DFG 500

Calibration certificate for force gauge (optional)

CAL-FG

### **Example:**

PCE-DFG 500

CAL-FG

- *Force gauge PCE-DFG 500 with calibration certificate*